

## Main Water Purification System

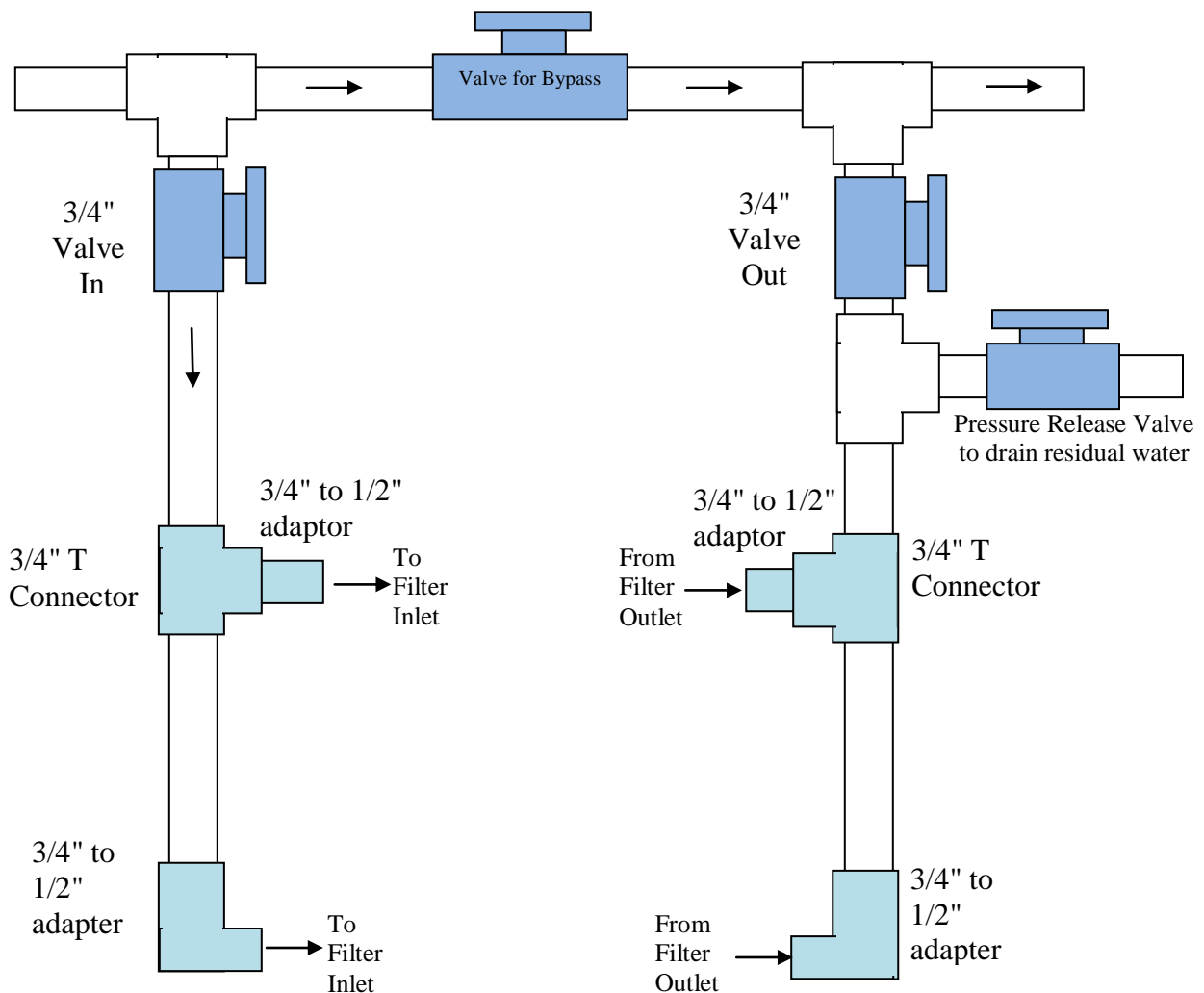
Use **removable pipe adaptors** so that the entire system can be removed off the pipes for future maintenance.

To use filtered water:

- shut off Valve for bypass
- shut off Pressure Release Valve
- turn on Valve In and Valve Out

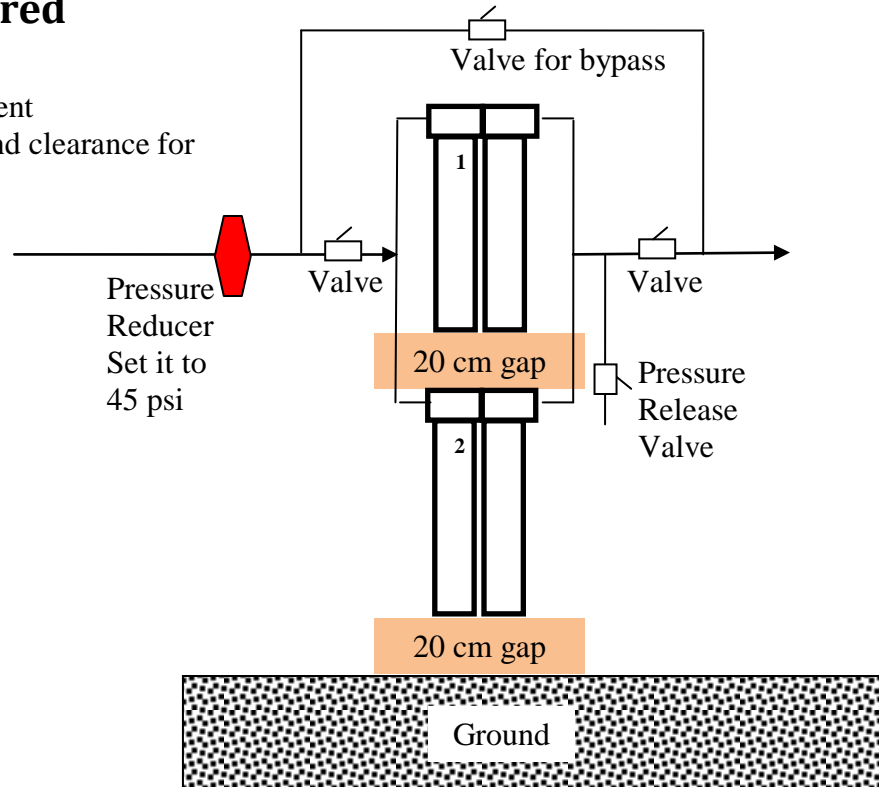
To replace filters or maintenance in the future:

- shut off Valve In and Valve Out
- turn on Press Release Valve to drain the residual water
- turn on Valve for Bypass.



## Minimum Space Required

Option 1: Vertical Placement  
 Leave at least 20 cm ground clearance for future filter replacement



Option 2: Horizontal Placement  
 Leave at least 20 cm ground clearance for future filter replacement.  
 If using flexible connector, then no ground clearance is necessary.

